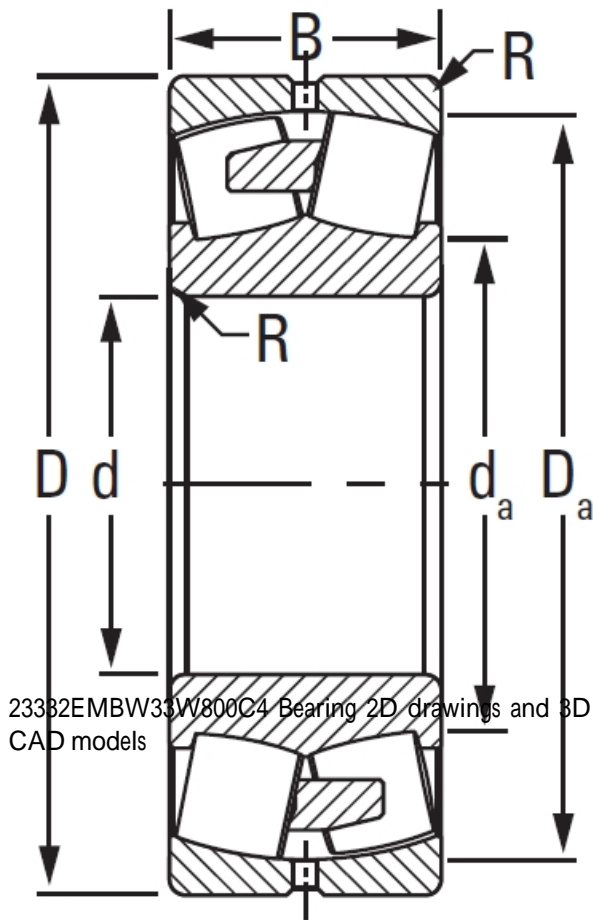




BEARING CORP.

TIMKEN 23332EMBW33W800C4 Bearing

Bearing No. 23332EMBW33W800C4



23332EMBW33W800C4 Bearing 2D drawings and 3D CAD models

Design Unit	METRIC
Bearing Weight	61.2 Kg
Cage Type	EMB
UPC Code	087796031975
Cage Material	Brass
Superseded Part	23332YMBW33W800C4
d	160 mm
D	339.993 mm
B - Inner Ring Width	136 mm
B - Outer Ring Width	136.000 mm
R - Inner Ring To Clear Radius ¹	3.0 mm
r - Outer Ring To Clear Radius ²	3.0 mm
da - Inner Ring Backing Diameter	202.000 mm
Da - Outer Ring Backing Diameter	297.000 mm
C0 - Static Radial Rating	2530000 N
C1(2) - Dynamic Radial Rating (Two-Rows)	2000000 N
e - ISO Factor ³	0.42
Y0 - ISO Factor ⁴	1.62
Y1 - ISO Factor ⁵	2.41
Y2 - ISO Factor ⁶	1.58
Reference Thermal Speed Rating (Grease)	900
Reference Thermal Speed	990



BEARING CORP.

Rating (Oil) ⁷	
Cg - Geometry Factor ⁸	0.0914