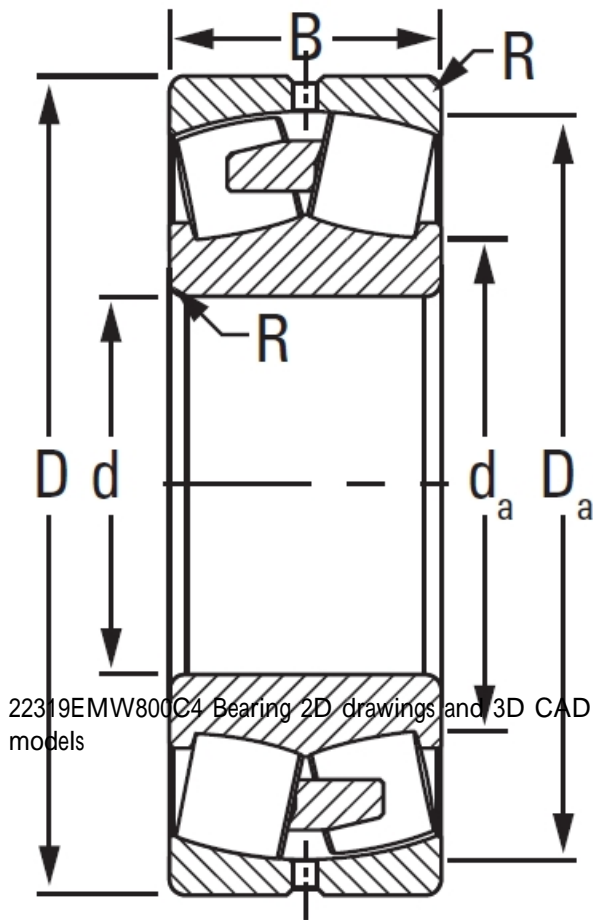




BEARING CORP.

TIMKEN 22319EMW800C4 Bearing

Bearing No. 22319EMW800C4



22319EMW800C4 Bearing 2D drawings and 3D CAD models

Design Unit	METRIC
Bearing Weight	10.2 Kg
Cage Type	EM
UPC Code	087796026971
Cage Material	Brass
Superseded Part	22319YMW800C4
d	95 mm
D	199.993 mm
B - Inner Ring Width	67 mm
B - Outer Ring Width	67 mm
R - Inner Ring To Clear Radius ¹	2.500 mm
r - Outer Ring To Clear Radius ²	2.500 mm
da - Inner Ring Backing Diameter	122.0 mm
Da - Outer Ring Backing Diameter	180.000 mm
C0 - Static Radial Rating	725000 N
C1(2) - Dynamic Radial Rating (Two-Rows)	663000 N
e - ISO Factor ³	0.32
Y0 - ISO Factor ⁴	2.1
Y1 - ISO Factor ⁵	3.13
Y2 - ISO Factor ⁶	2.05
Reference Thermal Speed Rating (Grease)	2600
Reference Thermal Speed	3100



BEARING CORP.

Rating (Oil) ⁷	
Cg - Geometry Factor ⁸	0.0716