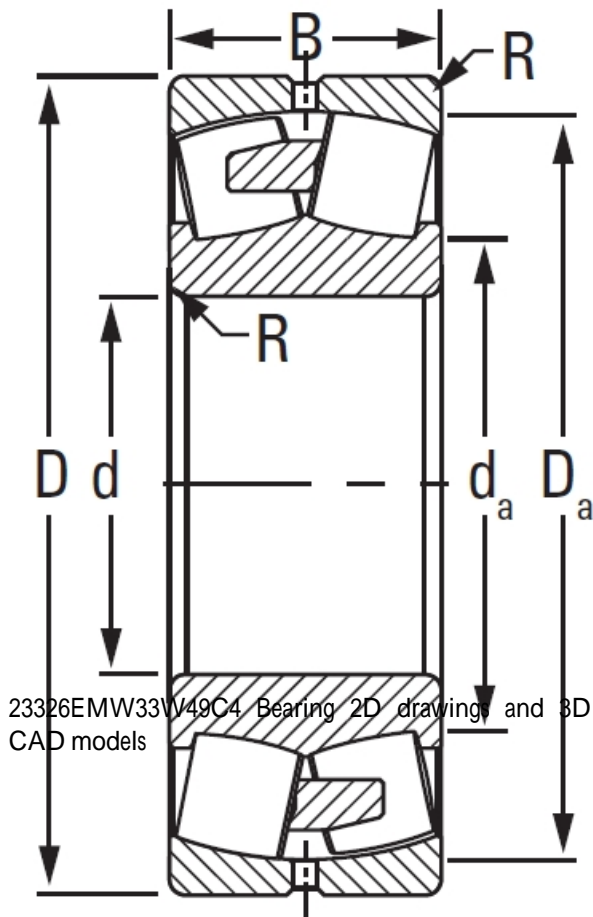




BEARING CORP.

TIMKEN 23326EMW33W49C4 Bearing

Bearing No. 23326EMW33W49C4



Design Unit	METRIC
Bearing Weight	33.8 Kg
Cage Type	EM
UPC Code	087796153271
Cage Material	Brass
Superseded Part	23326YMW33W49C4
d	130 mm
D	280 mm
B - Inner Ring Width	112 mm
B - Outer Ring Width	112.000 mm
R - Inner Ring To Clear Radius ¹	3.0 mm
r - Outer Ring To Clear Radius ²	3.0 mm
da - Inner Ring Backing Diameter	164.000 mm
Da - Outer Ring Backing Diameter	245.000 mm
C0 - Static Radial Rating	1590000 N
C1(2) - Dynamic Radial Rating (Two-Rows)	1340000 N
e - ISO Factor ³	0.42
Y0 - ISO Factor ⁴	1.62
Y1 - ISO Factor ⁵	2.42
Y2 - ISO Factor ⁶	1.59
Reference Thermal Speed Rating (Grease)	1200
Reference Thermal Speed	1400



BEARING CORP.

Rating (Oil) ⁷	
Cg - Geometry Factor ⁸	0.086